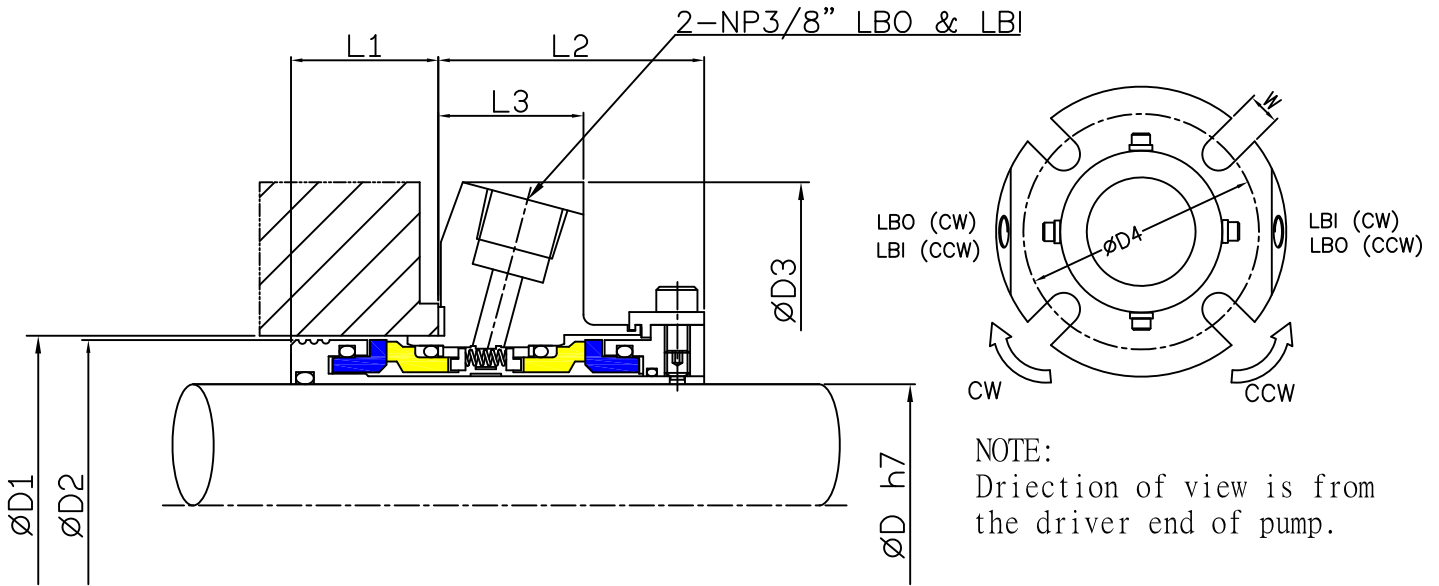




# TYPE:DBBX Dimensional information



NOTE:  
Driection of view is from the driver end of pump.

	ØD	Min	ØD1		ØD2	ØD3	L1	L2	L3	W	W3/8"	ØD4	
			Min	Max								W1/2"	Min
INCH	1.000	1.625	1.875	1.555	4.125	1.606	2.059	0.511	0.531	2.952			
	1.125	1.750	2.093	1.688	4.250	1.102	2.059	1.043	0.531	3.070			
	1.250	1.875	2.154	1.811	4.375	1.102	2.059	1.043	0.531	3.250	2.952		
	1.375	2.000	2.308	1.937	4.375	1.102	2.059	1.043	0.531	3.250	2.952		
	1.500	2.250	2.500	2.185	5.000	1.338	2.059	1.125	0.562	3.625	4.000		
	1.625	2.375	2.625	2.311	5.250	1.338	2.059	1.125	0.562	3.875	4.125		
	1.750	2.500	2.750	2.433	5.250	1.338	2.059	1.125	0.562	3.875	4.125		
	1.875	2.625	2.875	2.559	5.250	1.338	2.059	1.125	0.562	3.875	4.125		
	2.000	2.750	3.000	2.685	5.500	1.338	2.059	1.125	0.562	4.250	4.500		
	2.125	2.875	3.125	2.807	5.750	1.338	2.059	1.125	0.688		4.500	4.724	
	2.250	3.000	3.250	2.930	5.750	1.338	2.059	1.125	0.688		4.625	4.842	
	2.375	3.125	3.500	3.055	6.000	1.417	2.283	1.125	0.688		4.750	4.921	
	2.500	3.250	3.625	3.181	7.000	1.417	2.283	1.125	0.688		5.118	5.314	
	2.625	3.375	3.750	3.307	7.000	1.417	2.283	1.125	0.688		5.118	5.314	
	2.750	3.625	4.062	3.501	7.000	1.417	2.283	1.125	0.688		5.118	5.314	
	2.875	3.750	4.186	3.750	7.400	1.417	2.283	1.125	0.688		5.500	5.500	
	3.000	4.000	4.311	3.784	7.400	1.417	2.283	1.125	0.688		5.750	6.000	
	3.125	4.125	4.600	4.007	7.400	1.417	3.375	1.125	0.688		6.000	6.250	
3.250	4.250	4.600	4.133	8.000	1.417	2.375	1.125	0.688		6.250	6.500		
3.375	4.375	4.850	4.259	8.000	1.417	2.375	1.125	0.688		6.500	6.750		
mm	25	41	48	39.5	104	28	52.4	26.5	13.5	75			
	28	44	52	42.9	108	28	52.4	26.5	13.5	80			
	30	46	54	44.5	111	28	52.4	26.5	13.5	80			
	32	48	55	46.0	111	28	52.4	26.5	13.5	82.5	85		
	35	51	58	49.2	111	28	52.4	26.5	13.5	82.5	85		
	38	58	63	55.5	127	34	52.4	28.5	14.3	92	100		
	40	60	65	57.5	127	34	52.4	28.5	14.3	95	103		
	43	62	68	59.5	133	34	52.4	28.5	14.3	98.5	105		
	45	65	70	61.8	133	34	52.4	28.5	14.3	98.5	105		
	48	68	72	65.0	133	34	52.4	28.5	14.3	98.5	105		
	50	70	77	68.2	139	34	52.4	28.5	14.3	108	115		
	55	75	84	72.5	146	34	52.4	28.5	17.5		115	120	
	60	80	89	77.6	152	36	58.0	28.5	17.5		120	125	
	65	85	98	82.5	177	36	58.0	28.5	17.5		130	135	
	70	95	100	89.0	177	36	58.0	28.5	17.5		130	135	
75	100	110	96.0	188	36	58.0	28.5	17.5		145	150		
80	105	115	103.5	188	36	60.3	28.5	17.5		155	160		
85	110	120	108.2	203	36	60.3	28.5	17.5		165	175		
Metric	1.125	2.625	2.750	1.688	5.000	1.102	2.059	1.606	0.562	3.750	4.000		
	1.375	2.875	3.023	1.937	5.236	1.102	2.059	1.043	0.562	4.062	4.125		
	1.750	3.500	3.925	2.433	6.456	1.338	2.059	1.043	0.562	4.875	5.000		
	1.875	3.625	3.734	2.559	6.456	1.338	2.059	1.125	0.562	4.875	5.000		
	2.125	3.875	4.250	2.807	7.401	1.338	2.059	1.125	0.688		6.000	6.125	
	2.500	4.750	4.875	3.181	8.000	1.417	2.283	1.125	0.688		6.125	6.375	
	2.625	4.625	4.740	3.307	8.000	1.417	2.283	1.125	0.688		6.125	6.375	
	2.750	4.750	4.875	3.501	8.000	1.417	2.283	1.125	0.688		6.125	6.375	