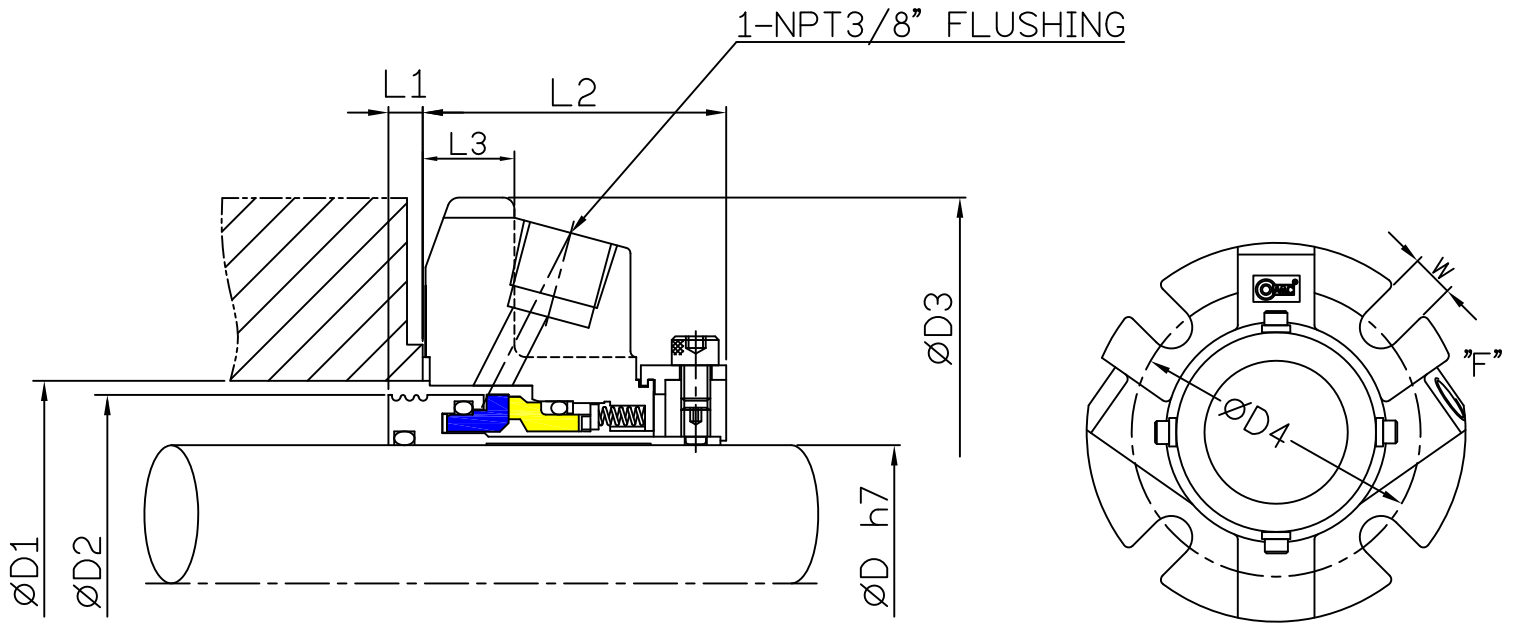




SE1A Dimensional information



	ØD	ØD1		ØD2	ØD3	L1	L2	L3	W	W3/8"	ØD4 min	
		Min	Max								W1/2"	W5/8"
Inch	1.000	1.625	1.875	1.555	4.125	0.681	2.059	0.610	0.531	2.952		
	1.125	1.750	2.093	1.688	4.250	0.681	2.059	0.610	0.531	3.070		
	1.250	1.875	2.154	1.811	4.375	0.681	2.059	0.610	0.531	3.250	2.952	
	1.375	2.000	2.308	1.937	4.375	0.681	2.059	0.610	0.531	3.250	2.952	
	1.500	2.250	2.500	2.185	5.000	0.681	2.059	0.610	0.562	3.625	4.000	
	1.625	2.375	2.625	2.311	5.250	0.681	2.059	0.610	0.562	3.875	4.125	
	1.750	2.500	2.750	2.433	5.250	0.681	2.059	0.610	0.562	3.875	4.125	
	1.875	2.625	2.875	2.559	5.250	0.681	2.059	0.610	0.562	3.875	4.125	
	2.000	2.750	3.000	2.685	5.500	0.681	2.059	0.610	0.562	4.250	4.500	
	2.125	2.875	3.125	2.807	5.750	0.681	2.059	0.610	0.688		4.500	4.724
	2.250	3.000	3.250	2.930	5.750	0.681	2.059	0.610	0.688		4.625	4.842
	2.375	3.125	3.500	3.055	6.000	0.799	2.283	0.750	0.688		4.750	4.921
	2.500	3.250	3.625	3.181	7.000	0.799	2.283	0.750	0.688		5.118	5.314
	2.625	3.375	3.750	3.307	7.000	0.799	2.283	0.750	0.688		5.118	5.314
	2.750	3.625	4.062	3.501	7.000	0.799	2.283	0.750	0.688		5.118	5.314
	2.875	3.750	4.186	3.750	7.400	0.799	2.283	0.750	0.688		5.500	5.500
	3.000	4.000	4.311	3.784	7.400	0.799	2.283	0.750	0.688		5.750	6.000
	3.125	4.125	4.600	4.007	7.400	0.799	2.283	0.750	0.688		6.000	6.250
3.250	4.250	4.600	4.133	8.000	0.799	2.283	0.750	0.688		6.250	6.500	
3.375	4.375	4.850	4.259	8.000	0.799	2.283	0.750	0.688		6.500	6.750	
mm	ØD	ØD1		ØD2	ØD3	L1	L2	L3	W	M10	ØD4 min	
		Min	Max								M12	M16
	25	41	48	39.5	104	17.3	52.4	15.5	13.5	75		
	28	44	52	42.9	108	17.3	52.4	15.5	13.5	78		
	30	46	54	44.5	111	17.3	52.4	15.5	13.5	80		
	32	48	55	46.0	111	17.3	52.4	15.5	13.5	82.5	85	
	35	51	58	49.2	111	17.3	52.4	15.5	13.5	82.5	85	
	38	58	63	55.5	127	17.3	52.4	15.5	14.3	92	100	
	40	60	65	57.5	127	17.3	52.4	15.5	14.3	95	103	
	43	62	68	59.5	133	17.3	52.4	15.5	14.3	98.5	105	
	45	65	70	61.8	133	17.3	52.4	15.5	14.3	98.5	105	
	48	68	72	65.0	133	17.3	52.4	15.5	14.3	98.5	105	
	50	70	77	68.2	139	17.3	52.4	15.5	14.3	108	115	
	55	75	84	72.5	146	17.3	52.4	15.5	17.5	108	115	120
	60	80	89	77.6	152	20.7	58.0	19.0	17.5	108	120	125
	65	85	98	82.5	177	20.7	58.0	19.0	17.5	108	130	135
	70	95	100	89.0	177	20.7	58.0	19.0	17.5	108	130	135
	75	100	110	96.0	188	20.7	58.0	19.0	17.5	108	145	150
80	105	115	103.5	188	20.7	58.0	19.0	17.5	108	155	160	
85	110	120	108.2	203	20.7	58.0	19.0	17.5	108	165	175	
ø-øB øø-øA	ØD	ØD1		ØD2	ØD3	L1	L2	L3	W	W3/8"	ØD4 min	
		Min	Max								W1/2"	W5/8"
	1.125	2.625	2.750	1.688	5.000	0.681	2.059	0.610	0.562	3.750	4.000	
	1.375	2.875	3.023	1.937	5.236	0.681	2.059	0.610	0.562	4.062	4.125	
	1.750	3.500	3.925	2.433	6.456	0.681	2.059	0.610	0.562	4.875	5.000	
	1.875	3.625	3.734	2.559	6.456	0.681	2.059	0.610	0.562	4.875	5.000	
	2.125	3.875	4.250	2.807	7.401	0.681	2.059	0.750	0.688		6.000	6.125
2.500	4.750	4.875	3.181	8.000	0.799	2.283	0.750	0.688		6.125	6.375	
2.625	4.625	4.740	3.307	8.000	0.799	2.283	0.750	0.688		6.125	6.375	
2.750	4.750	4.875	3.501	8.000	0.799	2.283	0.750	0.688		6.125	6.375	